



EDIFACT INVOIC D96A

Invoice from Supplier

Version 2.1

Date 24-11-2017

Table of contents

1. Document versions2
 2. Introduction2
 3. Message structure referenced at Faurecia.....3
 3.1. Segments table3
 3.2. Branching diagram4
 4. Segments description.....7
 5. Examples of Messages51
 6. Annex 154

1. Document versions

Version	Date	Comments
1.0	15.11.2007	Initial issue
1.1	06.02.2008	Update to integrate purchases on services : modification of rule on BGM (1000)
1.2	26.03.2008	Update to integrate purchases on services: modification of LIN & addition of RFF+AOU
2.0	30.03.2017	Guidelines layout standarization & review
2.1	24.11.2017	New version – new guidelines layout + additional informations: NAD+IV (3039) must be informed with Faurecia code company code provided by Faurecia. Value can be found in Parameter Communication Sheet. See annex 1

2. Introduction

This document provides a specific description of subset of EDIFACT INVOIC D96A. A message to be used in Electronic Data Interchange (EDI) between a Faurecia Company and its Trading Partners as supplier. The description is specially designed to cover the edi invoice standard and the requirement of dematerialization process.

For an electronically transmitted invoice authenticity of origin and integrity of data has to be ensured. In case of usage of EDI according to article 2 of the EC recommendation 94/820 EC as of 19th October 1994, authenticity and integrity are assumed to be maintained, if the agreement on invoice data exchange contains specifications about suitable means and procedures.

Consequently, pre-conditions for using EDI are:

- The existence of an agreement to use EDI between the involved partners;
- Reliable, documented and auditable internal processes, which ensure the generation of correct messages by the used electronic data processing (EDP) systems, respectively which ensure a correct processing of received invoice data. The used processes and procedures must ensure as well that unauthorised persons cannot, neither deliberately nor accidentally, change the data.
- The application of a means of transmission, which ensures authenticity and integrity of the data;
- A data exchange format, which is able to transmit all necessary data with respect to commercial and taxation legislation and to the business requirements.

Message definition

This message INVOIC D96A is a message sent from Supplier to Faurecia Plant. An invoice is a message claiming payment for goods or services supplied under conditions agreed between the seller and the buyer.

3. Message structure referenced at Faurecia

3.1. Segments table

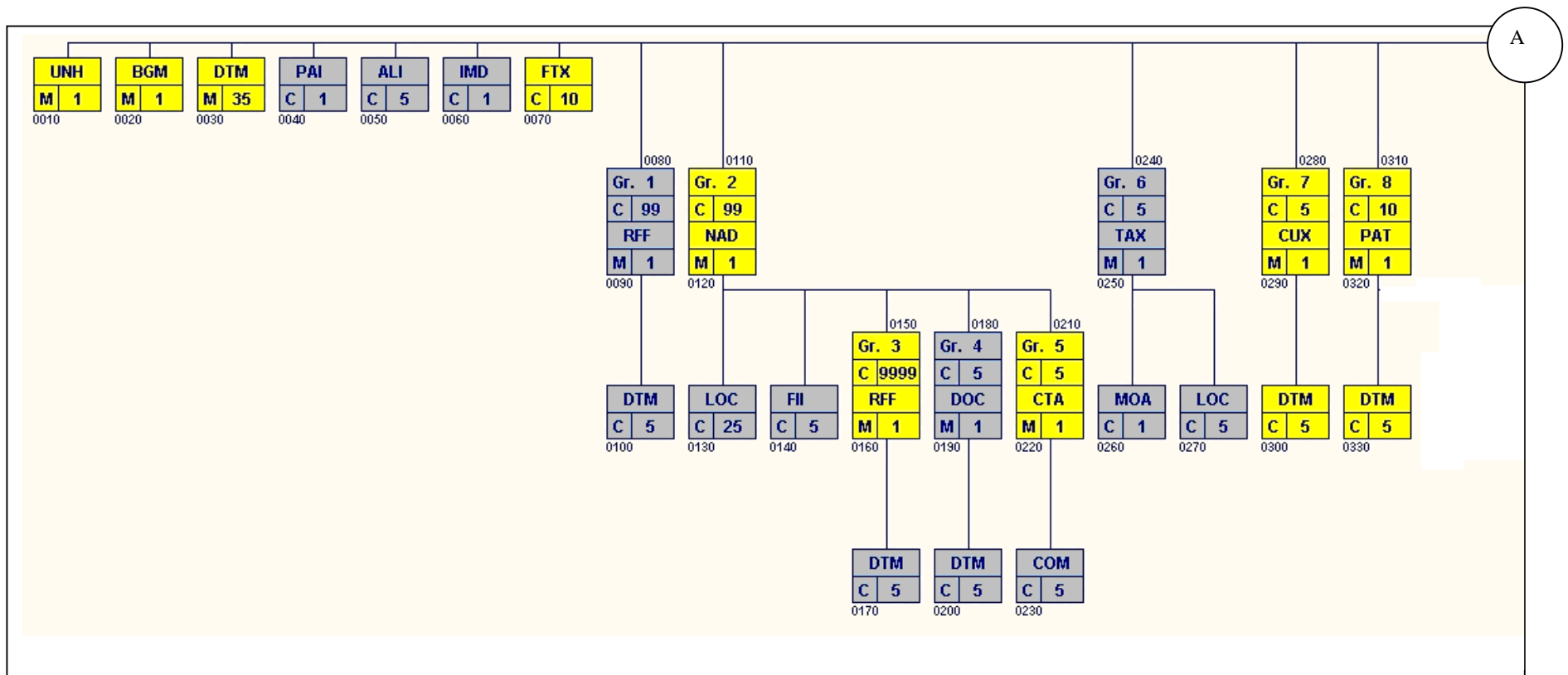
In the table hereunder are included only the segments and segment groups used by Faurecia.

Pos.	Tag	Std Sts	Std Rep.	Fau Sts	Fau Rep.	Description
1	UNB	M	1	M	1	Interchange Header
2	UNH	M	1	M	1	Message Header
3	BGM	M	1	M	1	Beginning of message
4	DTM	M	1	M	1	Document date
5, 6	FTX	C	10	C	10	Free text
	SG2	C	99	C	99	NAD-SG2
7	NAD	M	1	M	1	Buyer details
	SG3	C	9999	C	9999	RFF-SG3
8	RFF	M	1	M	1	Vat registration number
9	NAD	C	1	M	1	Seller details
10	RFF	M	1	M	1	Account of customer
11	RFF	M	1	M	1	Vat registration number
	SG5	C	5	C	1	CTA-COM
12	CTA	M	1	M	1	Contact information
13	NAD	M	1	M	1	Seller as Officially registered
14	NAD	M	1	M	1	Invoicee details
	SG7	C	5	C	5	CUX-SG7
15	CUX	M	1	M	1	Currency
16	DTM	C	5	C	5	Date/time/period
	SG8	C	10	C	10	PAT-SG8
17	PAT	M	1	M	1	Payments terms basis
18	DTM	C	5	C	5	Date/time/period
	SG25	C	9999	C	9999	
19	LIN	M	1	M	1	Line item level: material number
20	PIA	C	25	C	25	Additional product Id.
21	IMD	C	10	C	10	Line item description
22	MEA	C	5	C	5	Measurements
23	QTY	C	5	C	5	Quantity
24	ALI	C	5	C	5	Additional Information
	SG26	C	5	C	5	CTA-COM
25	MOA	M	1	M	1	Monetary Amount
	SG28	C	25	C	25	
26	PRI	M	1	M	1	Price details
	SG29	C	10	C	10	
27	RFF	M	1	M	1	Reference
28	DTM	C	5	C	5	Date/time/period
29	RFF	C	5	M	1	Purchase Order
30	RFF	C	5	C	1	Manifest Number
	SG33	C	99	C	99	
31	TAX	M	1	M	1	Duty/tax/fee details
	SG34	C	20	C	20	
32	NAD	M	1	M	1	Duty/tax/fee details
33	LOC	C	5	C	5	Monetary Amount
34	UNS	M	1	M	1	Section control
	SG48	M	100	M	100	
35,36,37,38	MOA	M	1	M	1	Monetary amount
	SG50	C	10	C	10	
40	TAX	M	10	M	10	Duty/tax/fee details
41,42	MOA	C	2	C	2	Monetary Amount
43	UNT	M	1	M	1	Message Trailer
44	UNZ	M	1	M	1	Interchange trailer

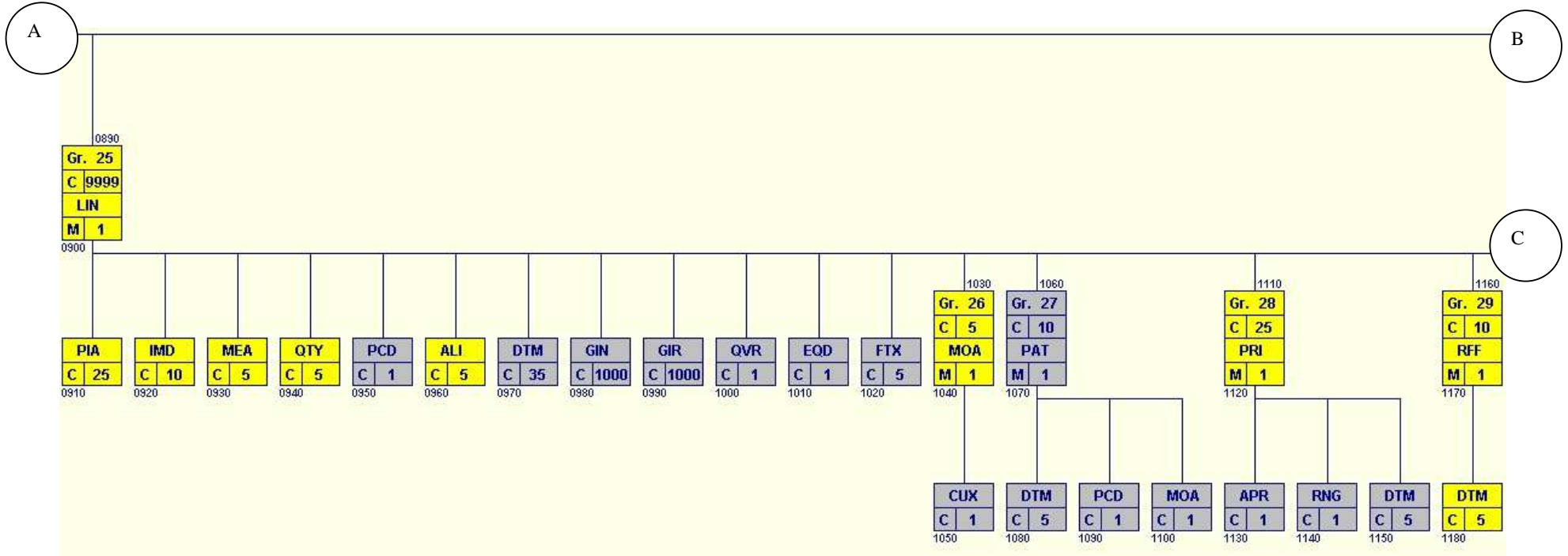
Faurecia specific: M=Mandatory, C=Conditional, O=Optional, N=Not used

3.2. Branching diagram

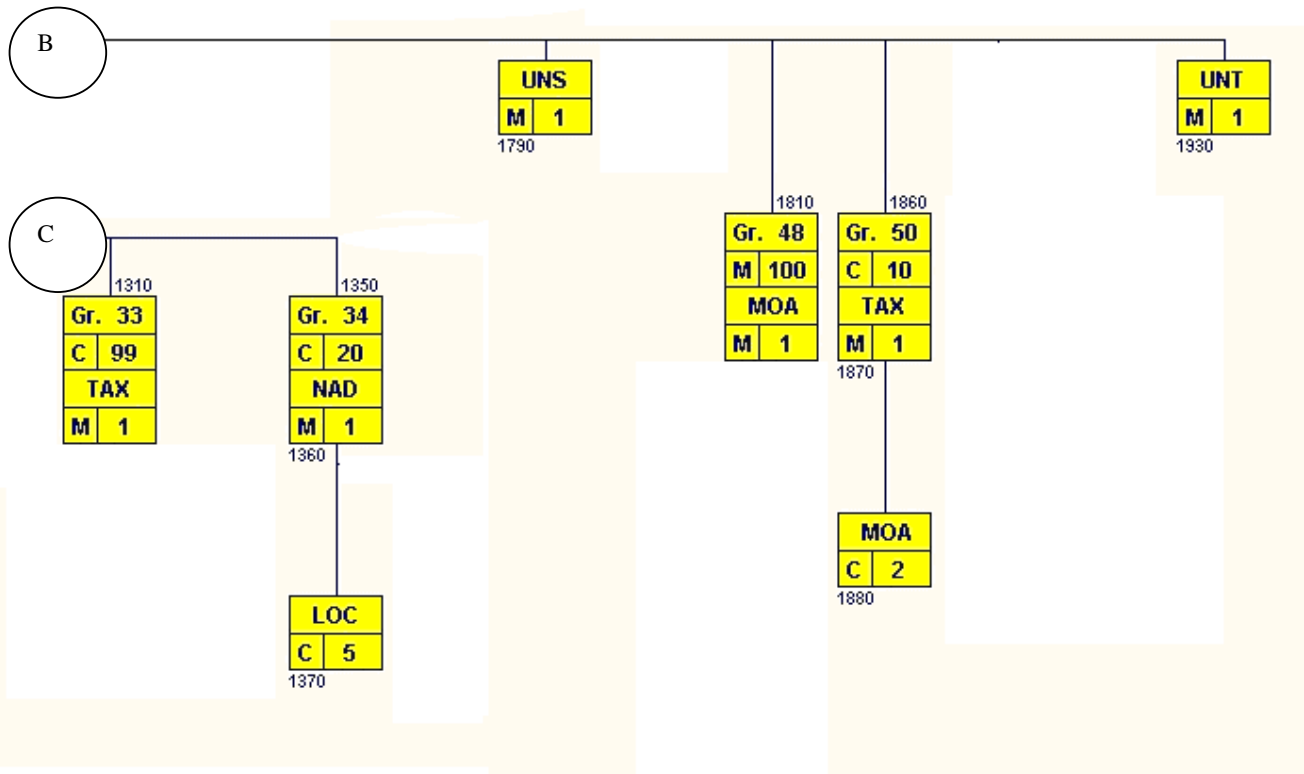
Only segments **highlighted** in yellow are **used**.



Faurecia specific: M=Mandatory, C=Conditional, O=Optional, N=Not used



Faurecia specific: M=Mandatory, C=Conditional, O=Optional, N=Not used



Edifact Standard requirement : M = Mandatory C= Conditional

Faurecia specific: M=Mandatory, C=Conditional, O=Optional, N=Not used

4. Segments description

Segment: **UNB** Pos.: 1 Level: 0
Status: M Max. occ.: 1

Function: **INTERCHANGE HEADER**

Usage notes: Service segment providing the unique identification of an interchange. It allows the identification of the sender and the receiver of the interchange, gives the date and time of preparation as well as the interchange control reference and the application reference.

EDIFACT			FAURECIA Implementation		
	Name	St Format	St	Sample	Usage / Remarks
	UNB			UNB	
S001	SYNTAX IDENTIFIER	M	M		
0001	Syntax identifier	M a..4	M	+UNOA	UNOA = UN/ECE level A
0002	Syntax version number	M n..1	M	:3	3 = Version 3 Indication of the syntax version used for this message.
S002	INTERCHANGE SENDER	M	M		
0004	Sender identification	M an..35	M	+O093100000875450157FR23	Address of the party originating the message.
0007	Partner identification code qualifier	C an..4	C		Upon agreement
0008	Address for reverse routing	C an..14	C		Upon agreement
S003	INTERCHANGE RECIPIENT	M	M		
0010	Recipient identification	M an..35	M	+O093100000875450157FR04	Communication code/mailbox number of the party receiving the message.
0007	Partner identification code qualifier	C an..4	C	:	Qualifier to be determined by the trading partner
0014	Routing address	C an..14	C	:	Routing Subaddress to be determined by the trading partner
S004	DATE/TIME OF PREPARATION	M	M		
0017	Date of preparation	M n6	M	+170325	YYMMDD
0019	Time of preparation	M n4	M	:2242	HHMM
0020	Interchange control reference	M an..14	M	+0010753'	Number generated by the Faurecia EDI platform

Example:

UNB+UNOA:3+O093100000875450157FR23+O093100000875450157FR04+170325:2242+0010753'

Segment: **UNH** Pos.: 2 Level: 0
Status: M Max. occ.: 1

Function: **MESSAGE HEADER**

Usages notes: Service segment starting and uniquely identifying a message.

EDIFACT			FAURECIA Implementation		
	Name	St Format	St	Sample	Usage / Remarks
	UNH			UNH	
0062	Message reference number	M an..14	M	+1	Message control number assigned by the sender of the message.
S009	MESSAGE IDENTIFIER	M	M		
0065	Message type identifier	M an..6	M	+INVOIC	INVOIC = Invoice Message
0052	Message type version number	M an..3	M	:D	D = Draft version/UN/EDIFACT Directory
0054	Message type release number	M an..3	M	:96A	96A =Release 1996 – A
0051	Controlling agency	M an..2	M	:UN	UN =UN/ECE/TRADE/WP.4
0057	Association assigned code	C an..6	M	:A14051'	A14051

Example:

UNH+1+INVOIC:D:96A:UN:A14051'

Segment: **BGM** Pos.: 3 Level: 0
Status: M Max. occ.: 1

Function: **Identification of a Invoice**

Usage notes: Segment for a unique identification of the Invoice document, by means of its number.

EDIFACT			FAURECIA Implementation		
	Name	St Format	St	Sample	Usage / Remarks
BGM				BGM	
C002	Document/message name	M	M		
1001	Document/message name, coded	M an..3	M	+380	380 = Commercial Invoice
1131	Code list qualifier	C an..3	N	:	Not used
3055	Code list responsible agency, coded	C an..3	N	:	Not used
1000	Document/message name	C an..35	N		Not used
C106	Document/message identification	M	M		
1004	Document/message number	M an..35	M	+9010203476	A document number identifying this Invoice
1056	version	C an..9	N		Not used
1060	Revision number	C an..6	N		Not used
1225	Message function, coded	C an..3	M	+9'	9 = Original 5 = Duplicated
4343	Response type, coded	C an..3	N		Not used

Example:

BGM+380+9010203476+9'

Segment: **DTM** Pos.: 4 Level: 1
Status: M Max. occ.: 1

Function: **Document Date/Time**

Usage notes: Faurecia ensures that the Document date and time are present in the Invoice message.

EDIFACT			FAURECIA Implementation		
	Name	St Format	St	Sample	Usage / Remarks
	DTM			DTM	
C507	Date/time/period	M	M		
2005	Date/time/period qualifier	M an..3	M	+137	137 = Document/message date/time
2380	Date/time/period	C an..35	M	:20170324	Message Date
2379	Date/time/period format qualifier	C an..3	C	:102'	102 = CCYYMMDD

Example:

DTM+137: 20170324:102'

Segment: **FTX** Pos.: 5 Level: 1
Status: C Max. occ.: 10

Function: **Free text**

Usages notes: REG is used for information required by legislation (e.g. members of the board etc.).
In general, may depend on the Faurecia entity and/ or the country.

EDIFACT			FAURECIA Implementation		
	Name	St Format	St	Sample	Usage / Remarks
FTX				FTX	
4451	Text subject code qualifier	M an..3	M	+REG	REG = Regulatory Information
4453	Free text function code	C an..3	N	+	Not used
C107	Text reference	C	N		Not used
4441	Free text description code	M an..3	N	+	Not used
1131	Code list identification code	C an..3	N		Not used
3055	Code list responsible agency code	C an..3	N		Not used
C108	Text literal	C	C		
4440	Free text	M an..70	M	+FAURECIA	Text line 1
4440	Free text	C an..70	M	:SAS	Text line 2
4440	Free text	C an.. 70	M	:AU CAPITA	Text line 3
4440	Free text	C an.. 70	M	:071 502 39	Text line 4
4440	Free text	C an.. 70	C		Text line 5
3453	Language name code	C an..3	N		Not used
4447	Free text format code	C an..3	N		Not used

Example:

FTX+REG+++FAURECIA: SAS: AU CAPITA:071 502 39'

Segment: **FTX** Pos.: 6 Level: 1
Status: C Max. occ.: 10

Function: **Free text**

Usage notes: This segment is used to provide free form or coded text information which applies to the complete invoice message. This statement "Penalties in case of late payment." is compulsory since the LME of January 2009. A third field (or even a fourth according to the length) must be added after the discount conditions in the FTX + AAI

EDIFACT			FAURECIA Implementation		
	Name	St Format	St	Sample	Usage / Remarks
FTX				FTX	
4451	Text subject code qualifier	M an..3	M	+AAI	AAI = General information
4453	Free text function code	C an..3	N	+	Not used
C107	Text reference	C	N		Not used
4441	Free text description code	M an..3	C	+	
1131	Code list identification code	C an..3	C		
3055	Code list responsible agency code	C an..3	C		
C108	Text literal	C	C		
4440	Free text	M an..70	M	+TVA ACQ	Nature of VAT
4440	Free text	C an..70	M	:CONDITI	Discount terms in case of anticipated payment
4440	Free text	C an..70	C	:CONDITI	Discount terms in case of anticipated payment
4440	Free text	C an..70	C	:PENALTIE	Penalties for delayed payments.
4440	Free text	C an..70	C		Text line 5
3453	Language name code	C an..3	N		Not used
4447	Free text format code	C an..3	N		Not used

Example:

FTX+AAI+++ TVA ACQUITEE SUR LES DEBITS: CONDITION D ESCOMPTE NEANT:CONDITION D ESCOMPTE
NEANT:PENALITE EN CAS DE RETARD DE PAIEMENT (LME 2009)'

Group: **SG2** Status: C Max. occ.: 99

Segment: **NAD** Pos.: 7 Level: 1
Status: M Max. occ.: 1

Function: **Buyer Name and Address**

Usage notes: SG2-NAD with Buyer details must be present.

EDIFACT			FAURECIA Implementation		
	Name	St Format	St	Sample	Usage / Remarks
NAD				NAD	
3035	Party qualifier	M an..3	M	+BY	BY = Buyer
C082	Party identification details	C	C		
3039	Party id. identification	M an..35	M	+FR04	Value assigned by Faurecia. See annex 1
1131	Code list qualifier	C an..3	N	:	Not used
3055	Code list responsible agency, coded	C an..3	C	:92	92 = assigned by Buyer
C058	Name and address	C	C		
3124	Name and address line	M an..35	M	+ PARC D'ACTIVITES	Address
3124	Name and address line	C an..35	C	: HENIN-BEAUMONT	Address
3124	Name and address line	C an..35	C	:FR	Address
3124	Name and address line	C an..35	C	: 1213000000	Address
C080	Party name	C	C		
3036	Party name	M an..35	M	+FAURECIA IND	Buyers' name
3036	Party name	C an..35	N		Not used
3036	Party name	C an..35	N		Not used
3036	Party name	C an..35	N		Not used
3036	Party name	C an..35	N		Not used
3045	Party name format, code	C an..3	N		Not used
C059	Street	C	C		
3042	Street and number/p.o. box	M an..35	N		Not used
3042	Street and number/p.o. box	M an..35	N		Not used
3042	Street and number/p.o. box	M an..35	N		Not used
3042	Street and number/p.o. box	M an..35	N		Not used
3164	City name	C an..35	N	+	Not used
3229	Country sub-entity identification	C an..9	N	+	Not used
3251	Postcode identification	C an..9	N	+	Not used
3207	Country, coded	C an..3	C	+	Buyers's Country Code - see Codelist 3207

Example:

NAD+BY+FR04::92+PARC D'ACTIVITES LE POMMIER:62256 HENIN-BEAUMONT CEDEX:FR:1213000000+FAURECIA INDUSTRIES S.A.S.U.'

Group: **SG2** Status: C Max. occ.: 99

Group: **SG3** Status: C Max. occ.: 9999

Segment: **RFF** Pos.: 8 Level: 2
Status: M Max. occ.: 1

Function: **VAT registration number**

Usage notes: For 1154=VA: Unique number assigned by the relevant tax authority to identify a party for use in relation to Value Added Tax

EDIFACT			FAURECIA Implementation		
	Name	St Format	St	Sample	Usage / Remarks
RFF				RFF	
C506	Reference	M	M		
1153	Reference qualifier	M an..3	M	+VA	VA = VAT registration number
1154	Reference number	C an..35	M	: FR72420879140'	
1156	Line Number	C	N		Not used
4000	Reference version number	C	N		Not used

Example:

RFF+VA: FR72420879140'

Group: **SG2** Status: C Max. occ.: 99

Segment: **NAD** Pos.: 9 Level: 1 **Name and address**
Status: M Max. occ.: 1

Function: **Seller Name and Address**

Usage notes:

EDIFACT			FAURECIA Implementation		
	Name	St Format	St	Sample	Usage / Remarks
NAD 3035	Party qualifier	M an..3	M	NAD +SE	SE = Seller
C082	Party identification details	C	C		
3039	Party id. identification	M an..35	M	+0931071502397	Seller's identification. if not available default value is global Seller account number assigned by Faurecia
1131	Code list qualifier	C an..3	N	:	Not used
3055	Code list responsible agency, coded	C an..3	C	:10	5 = ISO identification 10 = ODETE identification 16 = DUNs number 92 = assigned by Buyer
C058	Name and address	C	C		
3124	Name and address line	M an..35	M	+ EMILE ZOLA	Address
3124	Name and address line	C an..35	M	: 60114 MERU	Address
3124	Name and address line	C an..35	C	:FR	Address
3124	Name and address line	C an..35	C	: 1258000000	Address
C080	Party name	C	C		
3036	Party name	M an..35	M	+FAURECIA INTE	Seller' name
3036	Party name	C an..35	N		Not used
3036	Party name	C an..35	N		Not used
3036	Party name	C an..35	N		Not used
3036	Party name	C an..35	N		Not used
3045	Party name format, code	C an..3	N		Not used
C059	Street	C	C		
3042	Street and number/p.o. box	M an..35	N	+	Not used
3042	Street and number/p.o. box	M an..35	N		Not used
3042	Street and number/p.o. box	M an..35	N		Not used
3042	Street and number/p.o. box	M an..35	N		Not used
3164	City name	C an..35	N	+	Not used
3229	Country sub-entity identification	C an..9	N	+	Not used
3251	Postcode identification	C an..9	N	+	Not used
3207	Country, coded	C an..3	C	+FR'	Seller's Country Code - see Codelist 3207

Example:

NAD+SE+0931071502397::10+EMILE ZOLA:60114 MERU:FR:1258000000+FAURECIA INTERIEUR INDUSTRIE+++++FR'

Faurecia specific: M=Mandatory, C=Conditional, O=Optional, N=Not used

Group: **SG2** Status: C Max. occ.: 99

Group: **SG3** Status: C Max. occ.: 9999

Segment: **RFF** Pos.: 10 Level: 2
Status: M Max. occ.: 1

Function: **Seller's Internal Account Number**

Usage notes: The account number assigned to a partner by Faurecia is common to all Faurecia plants using the Faurecia Core System. It is numeric on 10 digits with eventually leading zeroes. This is the value received on DELFOR segment RFF+ADE(1154)

EDIFACT			FAURECIA Implementation		
	Name	St Format	St	Sample	Usage / Remarks
RFF				RFF	
C506	Reference	M	M		
1153	Reference qualifier	M an..3	M	+ADE	ADE = Seller's account number Qualifier
1154	Reference number	C an..35	C	:1258000000'	Code that identifies the seller's internal account number

Example:
RFF+ADE:1258000000'

Group: **SG2** Status: C Max. occ.: 99

Group: **SG3** Status: C Max. occ.: 9999

Segment: **RFF** Pos.: 11 Level: 2
Status: M Max. occ.: 1

Function: **VAT registration number**

Usages notes For 1154=VA: Unique number assigned by the relevant tax authority to identify a party for use in relation to Value Added Tax

EDIFACT			FAURECIA Implementation		
	Name	St Format	St	Sample	Usage / Remarks
RFF				RFF	
C506	Reference	M	M		
1153	Reference qualifier	M an..3	M	+VA	VA = VAT registration number
1154	Reference number	C an..35	M	: FR45071502397'	
1156	Line Number	C	N		Not used
4000	Reference version number	C	N		Not used

Example:

RFF+VA: FR45071502397'

Group: **SG2** Status: C Max. occ.: 99

Group: **SG5** Status: C Max. occ.: 1

Segment: **CTA** Pos.: 12 Level: 2
Status: M Max. occ.: 1

Function: **Seller's Contact Information**

Usage notes:

EDIFACT			FAURECIA Implementation		
	Name	St Format	St	Sample	Usage / Remarks
CTA				CTA	
3139	Contact function, coded	C an..3	C	+IC	IC = Sellers contact
C056	Department or employee details	C	C		
3413	Department or employee identification	C an..17	C	+	
3412	Department or employee	C an..35	C	:'WEIDNER'	

Example:

CTA+IC+:WEIDNER'

Group: **SG2** Status: C Max. occ.: 99

Segment: **NAD** Pos.: 13 Level: 1
Status: M Max. occ.: 1

Function: **Seller Name and Address as officially registered**

Usage notes:

EDIFACT			FAURECIA Implementation		
	Name	St Format	St	Sample	Usage / Remarks
NAD 3035	Party qualifier	M an..3	M	NAD +FH	FH = Seller as officially registered
C082	Party identification details	C	C		
3039	Party id. identification	M an..35	C +		Seller's identification, if not available default value is global Seller account number assigned by Faurecia
1131	Code list qualifier	C an..3	N :		Not used
3055	Code list responsible agency, coded	C an..3	C :		5 = ISO identification 10 = ODETE identification 16 = DUNs number 92 = assigned by Buyer
C058	Name and address	C	C		
3124	Name and address line	M an..35	M +	EMILE ZOLA	Address
3124	Name and address line	C an..35	M :	60114 MERU	Address
3124	Name and address line	C an..35	C :		Address
3124	Name and address line	C an..35	C :		Address
C080	Party name	C	C		
3036	Party name	M an..35	M +		Seller' name
3036	Party name	C an..35	N		Not used
3036	Party name	C an..35	N		Not used
3036	Party name	C an..35	N		Not used
3036	Party name	C an..35	N		Not used
3045	Party name format, code	C an..3	N		Not used
C059	Street	C	C		
3042	Street and number/p.o. box	M an..35	N +		Not used
3042	Street and number/p.o. box	M an..35	N		Not used
3042	Street and number/p.o. box	M an..35	N		Not used
3042	Street and number/p.o. box	M an..35	N		Not used
3164	City name	C an..35	N +		Not used
3229	Country sub-entity identification	C an..9	N +		Not used
3251	Postcode identification	C an..9	N +		Not used
3207	Country, coded	C an..3	C +		Seller's Country Code - see Codelist 3207

Example:

NAD+FH++EMILE ZOLA:60114 MERU CEDEX 11'

Faurecia specific: M=Mandatory, C=Conditional, O=Optional, N=Not used

Group: **SG2** Status: C Max. occ.: 99

Segment: **NAD** Pos.: 14 Level: 1
Status: M Max. occ.: 1

Function: **Name and Address of invoice party**

Usage notes:

EDIFACT			FAURECIA Implementation		
	Name	St Format	St	Sample	Usage / Remarks
NAD				NAD	
3035	Party qualifier	M an..3	M	NAD +IV	IV = Invoicee party
C082	Party identification details	C	C		
3039	Party id. identification	M an..35	C	+FR04	Value assigned by Faurecia. See Annex 1
1131	Code list qualifier	C an..3	N	:	Not used
3055	Code list responsible agency, coded	C an..3	C	:92	92 = assigned by Buyer
C058	Name and address	C	C		
3124	Name and address line	M an..35	M	+ SJM - BP 40415	Address
3124	Name and address line	C an..35	M	: 60114 MERU CE	Address
3124	Name and address line	C an..35	C	:PT	Address
3124	Name and address line	C an..35	C	:SSC000FR04	Address
C080	Party name	C	C		
3036	Party name	M an..35	M	+ FAURECIA INDU	Invoicee's name
3036	Party name	C an..35	N		Not used
3036	Party name	C an..35	N		Not used
3036	Party name	C an..35	N		Not used
3036	Party name	C an..35	N		Not used
3045	Party name format, code	C an..3	N		Not used
C059	Street	C	C		
3042	Street and number/p.o. box	M an..35	N	+	Not used
3042	Street and number/p.o. box	M an..35	N		Not used
3042	Street and number/p.o. box	M an..35	N		Not used
3042	Street and number/p.o. box	M an..35	N		Not used
3164	City name	C an..35	N	+	Not used
3229	Country sub-entity identification	C an..9	N	+	Not used
3251	Postcode identification	C an..9	N	+	Not used
3207	Country, coded	C an..3	C	+ PT'	Invoicee's Country Code - see Codelist 3207

Example:

NAD+IV+FR04::92+SJM - BP 40415:60114 MERU CEDEX:PT:SSC000FR04+FAURECIA INDUSTRIES S.A.S.U.+++++PT'

Faurecia specific: M=Mandatory, C=Conditional, O=Optional, N=Not used

Group: **SG7** Status: C Max. occ.: 5

Segment: **CUX** Pos.: 15 Level: 1
Status: M Max. occ.: 1

Function: **Currency code**

Usage notes:

EDIFACT			FAURECIA Implementation		
	Name	St Format	St	Sample	Usage / Remarks
	CUX			CUX	
C504	Currency details	C	C		
6347	Currency details qualifier	M an..3	M	+2	2 = reference currency
6345	Currency code	C an..3	M	:EUR	Invoicing currency
6343	Currency qualifier	C an..3	M	:4	4 = invoicing currency
C504	Currency details	C	C		May be used to show home or payment currency, when different of invoice currency, see comments below
6347	Currency details qualifier	M an..3	M	+3	3 = target currency
6345	Currency code	C an..3	M	:EUR	Target Currency specifies the currency that has to be used for accounting, taxation, or calculation purposes in those cases, when a monetary amount is given in a different currency. Use ISO 4217 3-alpha currency code.
6343	Currency qualifier	C an..3	M	:3	3 = home currency 11 = payment currency
5402	Currency exchange rate	C n...12	C	:EUR	used when C504#2 is used

Example:

CUX+2:EUR:4'

Group: **SG7** Status: C Max. occ.: 5

Segment: **DTM** Pos.: 16 Level: 1
Status: C Max. occ.: 5

Function: **Date and Time of exchange rate**

Usages notes: The exchange rate date has to be specified only when payment or home currency is used in that CUX segment.

EDIFACT			FAURECIA Implementation		
	Name	St Format	St	Sample	Usage / Remarks
DTM				DTM	
C507	Date/time/period	M	M		Date/Time of calculation
2005	Date/time/period qualifier	M an..3	M	+134	134 = Date of exchange rate
2380	Date/time/period	C an..35	M	:20150531	Date
2379	Date/time/period format qualifier	C an..3	M	:102'	102 = CCYYMMDD

Example:

DTM+134:20150531:102'

Group: **SG8** Status: C Max. occ.: 10

Segment: **PAT** Pos.: 17 Level: 1
Status: M Max. occ.: 1

Function: **Payment terms basis**

Usage notes: The exchange rate date has to be specified only when payment or home currency is used in that CUX segment.

EDIFACT			FAURECIA Implementation		
	Name	St Format	St	Sample	Usage / Remarks
PAT				PAT	
4279	Payment terms type qualifier	M	M		1 = basic, payment condition normally applied

Example:

PAT+1'

Group: **SG8** Status: C Max. occ.: 10

Segment: **DTM** Pos.: 18 Level: 1
Status: C Max. occ.: 5

Function: **Payment due date**

Usage notes: Date when the payment is due in order to comply with the specified payment terms

EDIFACT			FAURECIA Implementation		
	Name	St Format	St	Sample	Usage / Remarks
DTM				DTM	
C507	Date/time/period	M	M		Date/Time of calculation
2005	Date/time/period qualifier	M an..3	M	+140	140 = Payment Due date
2380	Date/time/period	C an..35	M	:20170520	Date when the payment is due in order to comply with the specified payment terms.
2379	Date/time/period format qualifier	C an..3	M	:102'	102 = CCYYMMDD

Example:

DTM+134:20170520:102'

Group: **SG25** Status: C Max. occ.: 9999

Segment: **LIN** Pos.: 19 Level: 1
Status: M Max. occ.: 1

Function: **Line item**

Usage notes: 7140: Information directly related to the identification of an article by the buyer's identification system.
Note: The term article is synonymous to the term item. In the global joint automotive guidelines the term article is used.

EDIFACT		FAURECIA Implementation				
	Name	St	Format	St	Sample	Usage / Remarks
LIN					LIN	
1082	Line item number	C	n..6	M	+1	Sequential number generated by the sender to identify a line item within a message. It is recommended to start with value 1 and to increment by 1 for each new line.
1229	Action request/notification, coded	C	an..3	N		Not used
C212	Item number identification	C		M		
7140	Item number	M	an..35	M	+1406092XNB	FAURECIA part number
7143	Item number type, coded	C	an..3	M	:IN'	IN =Buyer's item number

Example:

LIN+1++1406092XNB:IN'

Group: **SG25** Status: C Max. occ.: 9999

Segment: **PIA** Pos.: 20 Level: 1
Status: C Max. occ.: 25

Function: **Additional product id**

Usage notes:

EDIFACT			FAURECIA Implementation		
	Name	St Format	St	Sample	Usage / Remarks
	PIA			PIA	
4347	Product id. function qualifier	M an..3	M	+1	1 = Additional identification
C212	Item number identification	M	M		
7140	Item number	C an..35	M	+1406092XNB	Additional item Number
7143	Item number type, coded	C an..3	M	:SA'	SA = Supplier's item number UA = Ultimate customer's article number

Example:

PIA+1+1406092XNB:SA'

Group: **SG25** Status: C Max. occ.: 9999

Segment: **IMD** Pos.: 21 Level: 1
Status: C Max. occ.: 10

Function: **Line item description**

Usages notes:

EDIFACT			FAURECIA Implementation		
	Name	St Format	St	Sample	Usage / Remarks
IMD				IMD	
7077	Item description type, coded	C an..3	C	+	
7081	Item characteristic, coded	C an..3	N		Not used
C273	Item Description	C	M	+	
7009	Item description identification	C an..17	N		Not used
1131	Code list qualifier	C an..3	N		Not used
3055	Code list responsible agency, coded	C an..3	N		Not used
7008	Item description	C an..35	M	\$SMF CTR FACIA PAINTE	Description of the material or service delivered.
7008	Item description	C an..35	C		

Example:

IMD+++:::SMF CTR FACIA PAINTE'

Group: **SG25** Status: C Max. occ.: 9999

Segment: **MEA** Pos.: 22 Level: 1
Status: C Max. occ.: 5

Function: **Measurement**

Usage notes:

EDIFACT			FAURECIA Implementation		
	Name	St Format	St	Sample	Usage / Remarks
MEA				MEA	
6311	Measurement application qualifier	M an..3		+PD	PD = Physical Dimensions
C502	MEASUREMENT DETAILS	C	M		
6313	Measurement dimension, coded	C an..3	M	+AAL	AAL = net weight
6321	Measurement significance, coded	C an..3	N		Not used
6155	Measurement attribute, coded	C an..3	N		Not used
6154	Measurement attribute	C an..70	N		Not used
C174	VALUE/RANGE	C			
6411	Measure unit qualifier	M an..3	M	+KGM	Measure unit qualifier
6314	Measurement value	C n..18	M	:8	Measurement value

Example:

MEA+PD+AAL+KGM:8'

Group: **SG25** Status: C Max. occ.: 9999

Segment: **QTY** Pos.: 23 Level: 1
Status: C Max. occ.: 5

Function: **Invoiced quantity**

Usages notes: The quantity invoiced is necessary for line items belonging to an invoice, credit or debit note.

EDIFACT			FAURECIA Implementation		
	Name	St Format	St	Sample	Usage / Remarks
QTY				QTY	
C186	Quantity details	M	M		
6063	Quantity qualifier	M an..3	M	+47	47 = Invoiced quantity
6060	Quantity	M n..15	M	:40	Invoiced quantity value
6411	Measure unit qualifier	C an..3	M	:PCE'	Measure unit qualifier, by default PCE

Example:

QTY+47:40:PCE'

Group: **SG25** Status: C Max. occ.: 9999

Segment: **ALI** Pos.: 24 Level: 1
Status: C Max. occ.: 5

Function: **Additional information**

Usage notes: The quantity invoiced is necessary for line items belonging to an invoice, credit or debit note.

EDIFACT			FAURECIA Implementation		
	Name	St Format	St	Sample	Usage / Remarks
ALI				ALI	
3239	Country of origin, coded	C an..3	C	+FR'	Identification of the country as defined in ISO 3166-1

Example:

ALI+FR'

Group: **SG25** Status: C Max. occ.: 9999

Group: **SG26** Status: C Max. occ.: 5

Segment: **MOA** Pos.: 25 Level: 2
Status: M Max. occ.: 1

Function: **Line item net amount**

Usage notes: The line item amount is the total related to this line item. It includes rebates and additions but excludes payment discount and VAT.

EDIFACT			FAURECIA Implementation		
	Name	St Format	St	Sample	Usage / Remarks
MOA				MOA	
C516	MONETARY AMOUNT	M	M		
5025	Monetary amount type qualifier	M an..3	M	+203	203 = Invoic item amount
5004	Monetary amount	C n...18	M	:322.8	Value of item amount

Example:

MOA+203:322.8'

Group: **SG25** Status: C Max. occ.: 9999

Group: **SG28** Status: C Max. occ.: 25

Segment: **PRI** Pos.: 26 Level: 2
Status: M Max. occ.: 1

Function: **Price details**

Usage notes:

EDIFACT			FAURECIA Implementation		
	Name	St Format	St	Sample	Usage / Remarks
PRI				PRI	
C509	PRICE INFORMATION	M	M		
5125	Price qualifier	M an..3	M	+AAA	AAA = Calculation net
5118	Price	C n..15	M	:8070	Unit price amount in price currency units
5375	Price type, coded	C an..3	C	:	
5387	Price type qualifier	C an..3	M	:AAA	AAA = Reference price
5284	Unit price basis	C n... 9	C	:1000	Basis on which the unit price/rate applies
6411	Measure unit qualifier	C an..3	C	:PCE'	Code specify the unit of measuremnt, by default 'PCE'
5213	Sub-line price change, coded	C an..3	N		Not used

Example:

PRI+AAA:8070::AAA:1000:PCE'

Group: **SG25** Status: C Max. occ.: 9999

Group: **SG29** Status: C Max. occ.: 10

Segment: **RFF** Pos.: 27 Level: 2
Status: M Max. occ.: 1

Function: **Delivery Note**

Usage notes:

EDIFACT			FAURECIA Implementation		
	Name	St Format	St	Sample	Usage / Remarks
RFF				RFF	
C506	Reference	M	M		
1153	Reference qualifier	M an..3	M	+AAK	AAK = despatch advice number
1154	Reference number	C an..35	M	52985317'	Despatch advice number

Example:

RFF+AAK:52985317'

Group: **SG25** Status: C Max. occ.: 9999

Group: **SG29** Status: C Max. occ.: 10

Segment: **DTM** Pos.: 28 Level: 2
Status: C Max. occ.: 5

Function: **Delivery date**

Usage notes:

EDIFACT			FAURECIA Implementation		
	Name	St Format	St	Sample	Usage / Remarks
DTM				DTM	
C507	Date/time/period	M	M		Date/Time of calculation
2005	Date/time/period qualifier	M an..3	M	+171	171 = reference date/time
2380	Date/time/period	C an..35	M	:20170324	Delivery date
2379	Date/time/period format qualifier	C an..3	M	:102'	102 = CCYYMMDD

Example:

DTM+171:20170324:102'

Group: **SG25** Status: C Max. occ.: 9999

Group: **SG29** Status: C Max. occ.: 10

Segment: **RFF** Pos.: 29 Level: 2
Status: M Max. occ.: 1

Function: **Purchase Order Number**

Usage notes: The order number provided in this segment is assigned per material purchased, it is compulsory in all delivery and billing documents to Faurecia – delivery note, ASN, invoice.
This is the value received on DELFOR segment RFF+ON(1154)

EDIFACT			FAURECIA Implementation		
	Name	St Format	St	Sample	Usage / Remarks
RFF				RFF	
C506	Reference	M	M		ON = Buyer Order number (purchase)
1153	Reference qualifier	M an..3	M	+ON	
1154	Reference number	C an..35	M	:5500252786'	

Example:

RFF+ON:5500252786'

Group: **SG25** Status: C Max. occ.: 9999

Group: **SG29** Status: C Max. occ.: 10

Segment: **RFF** Pos.: 30 Level: 2
Status: C Max. occ.: 1

Function: **Manifest number**

Usage notes: **Important:** When **LISA** mode, **Manifest number MUST be informed** at this position
This is the value received on DELJIT segment RFF+MA(1154)

EDIFACT			FAURECIA Implementation		
	Name	St Format	St	Sample	Usage / Remarks
RFF				RFF	
C506	Reference	M	M		MA = Manifest number
1153	Reference qualifier	M an..3	M	+MA	
1154	Reference number	C an..35	M	:0251717613'	

Example:

RFF+MA:0251717613

Group: **SG25** Status: C Max. occ.: 9999

Group: **SG33** Status: C Max. occ.: 99

Segment: **TAX** Pos.: 31 Level: 2
Status: M Max. occ.: 1

Function: **Line Item Tax**

Usage notes:

EDIFACT			FAURECIA Implementation		
	Name	St Format	St	Sample	Usage / Remarks
RFF				RFF	
5283	Duty/tax/fee function qualifier	M an ..3	M	+7	7 = Tax
C241	DUTY/TAX/FEE TYPE	M	M		
5153	Duty/tax/fee type, coded	C an ..3	M	+VAT	VAT = value added tax
1131	Code list qualifier	C an ..3	N	+	Not used
3055	Code list responsible agency, coded	C an ..3	N	+	Not used
5152	Duty/tax/fee type	C an..35	N	+	Not used
C533	DUTY/TAX/FEE ACCOUNT DETAIL	C	N		
5289	Duty/tax/fee account identification	M an..6	N		Not used
1131	Code list qualifier	C an..3	N		Not used
3055	Code list responsible agency, coded	C an..3	N		Not used
5286	Duty/tax/fee assessment basis	C an..15	N		Not used
C243	DUTY/TAX/FEE DETAIL	C	M		
5279	Duty/tax/fee rate identification	C an..7	N	:	Not used
1131	Code list qualifier	C an..3	N	:	Not used
3055	Code list responsible agency, coded	C an..3	N	:	Not used
5278	Duty/tax/fee rate	C an..17	M	:20.00	Tax rate
5273	Duty/tax/fee rate basis identification	C an..12	N		Not used
1131	Code list qualifier	C an..3	N		Not used
3055	Code list responsible agency, coded	C an..3	N		Not used
5305	Duty/tax/fee category, coded	C an..3	M	+200	If tax rate = 0 then 061 If tax rate > 0 then 200
3446	Party tax identification number	C an..20	N		Not used

Example:

TAX+7+VAT++++:::20.00+200'

Group: **SG25** Status: C Max. occ.: 9999

Group: **SG34** Status: C Max. occ.: 20

Segment: **NAD** Pos.: 32 Level: 2
Status: M Max. occ.: 1

Function: **Name and Address of Consignee**

Usage notes: This is the value received on DELFOR segment NAD+CN(3039)

EDIFACT			FAURECIA Implementation		
	Name	St Format	St	Sample	Usage / Remarks
	NAD			NAD	
3035	Party qualifier	M an..3	M	+CN	CN = Consignee
C082	Party identification details	C	C		
3039	Party id. identification	M an..35	M	+000242087914000119	Consignee's Identification Number
1131	Code list qualifier	C an..3	N	:	Not used
3055	Code list responsible agency, coded	C an..3	M	:5	5 = ISO ID (eg 0002...) 10 = Odette ID (eg 0931 + SIRET) 16 = DUNs number 92 = assigned by Buyer
C058	Name and address	C	M		
3124	Name and address line	M an..35	M	+ PARC D?ACTIVITES LE POM	Address, Street
3124	Name and address line	C an..35	C	:	Address
3124	Name and address line	C an..35	C	:	Address
3124	Name and address line	C an..35	C	:	Address
3124	Name and address line	C an..35	C	: 62256HENINBEAUMONT	Address, Town
C080	Party name	C	C		
3036	Party name	M an..35	M	+ FAURECIA INDUSTRIES S.A.S.U	FAURECIA company name
3036	Party name	C an..35	N		Not used
3036	Party name	C an..35	N		Not used
3036	Party name	C an..35	N		Not used
3036	Party name	C an..35	N		Not used
3045	Party name format, coded	C an..3	N		Not used
C059	Street	C	C		
3042	Street and number/p.o. box	M an..35	N	+	Not used
3164	City name	C an..35	N	+	Not used
3229	Country sub-entity identification	C an..9	N	+	Not used
3251	Postcode identification	C an..9	N	+	Not used
3207	Country, coded	C an..3	M	+FR'	Consignee's Country Code see Codelist 3207

Example:

NAD+CN+000242087914000119::5+PARC D?ACTIVITES LE POMMIER:62256HENIN-BEAUMONT
CEDEX:FR:121300000+FAURECIA INDUSTRIES S.A.S.U.++++FR'

Group: **SG25** Status: C Max. occ.: 9999

Group: **SG34** Status: C Max. occ.: 20

Segment: **LOC** Pos.: 33 Level: 2
Status: C Max. occ.: 5

Function: **Place of Discharge**

Usage notes: Faurecia Unloading Point. This is the value received in DELFOR segment LOC+11(3225).

EDIFACT			FAURECIA Implementation		
	Name	St Format	St	Sample	Usage / Remarks
	LOC			LOC	
3227	Place/location qualifier	M an..3	M	+11	11 = Place/port of discharge
C517	Location identification	C	C		
3225	Place/location identification	M an..25	M	+1213-R093'	Place of Discharge, identification assigned by Faurecia
1131	Code list qualifier	C an..3	N		Not used
3055	Code list responsible agency, coded	C an..3	N		Not used
3224	Place/location	C an..70	N		Not used

Example:

LOC+11+1213-R093'

Segment: **UNS** Pos.: 34 Level: 0
Status: M Max. occ.: 1

Function: SECTION CONTROL

Usage notes:

EDIFACT			FAURECIA Implementation		
	Name	St Format	St	Sample	Usage / Remarks
UNS				UNS	
0081	Section identification	M a1	M	+S'	S = Detail/summary section separation

Example:

UNS+S'

Group: **SG48** Status: M Max. occ.: 100

Segment: **MOA** Pos.: 35 Level: 1
Status: M Max. occ.: 1

Function: **Total line items amount**

Usage notes: Sum of all line items net amounts (MOA+203...)

EDIFACT			FAURECIA Implementation		
	Name	St Format	St	Sample	Usage / Remarks
MOA				MOA	
C516	MONETARY AMOUNT	M	M		
5025	Monetary amount type qualifier	M an..3	M	+79	79 = Total line items amount
5004	Monetary amount	C n...18	M	: 3897.66'	Total line items amount

Example:

MOA+79:3897.66'

Group: **SG48** Status: M Max. occ.: 100

Segment: **MOA** Pos.: 36 Level: 1
Status: M Max. occ.: 1

Function: **Invoice amount**

Usage notes: Total sum charged in respect of a single invoice in accordance with the terms of delivery.
Invoice amount (MOA+77) is the sum of line item amounts (MOA+79) plus total duty/tax/fee amount (MOA+176).

EDIFACT			FAURECIA Implementation		
	Name	St Format	St	Sample	Usage / Remarks
MOA				MOA	
C516	MONETARY AMOUNT	M	M		
5025	Monetary amount type qualifier	M an..3	M	+77	77 = invoice line item amount
5004	Monetary amount	C n...18	M	: 4677.19'	Invoice total amount including taxes

Example:

MOA+77:4677.19'

Group: **SG48** Status: M Max. occ.: 100

Segment: **MOA** Pos.: 37 Level: 1
Status: M Max. occ.: 1

Function: **Taxable amount**

Usage notes: This SG48 is present even if only zero rate taxes apply to the invoiced items.
When a non-zero tax rate applies, SG48 total taxable amount may have more than 1 occurrence.

EDIFACT			FAURECIA Implementation		
	Name	St Format	St	Sample	Usage / Remarks
MOA				MOA	
C516	MONETARY AMOUNT	M	M		
5025	Monetary amount type qualifier	M an..3	M	+125	125 = taxable amount
5004	Monetary amount	C n...18	M	3897.66'	Value of taxable amount

Example:

MOA+125:3897.66'

Group: **SG48** Status: M Max. occ.: 100

Segment: **MOA** Pos.: 38 Level: 1
Status: M Max. occ.: 1

Function: **Message total duty/tax/fee amount (VAT Amount)**

Usage notes: This SG48 is present even if only zero rate taxes apply to the invoiced items.
When a non-zero tax rate applies, SG50 total tax amount may have more than 1 occurrence.

EDIFACT			FAURECIA Implementation		
	Name	St Format	St	Sample	Usage / Remarks
	MOA			MOA	
C516	MONETARY AMOUNT	M	M		
5025	Monetary amount type qualifier	M an..3	M	+176	176 = total amount of message duty/tax/fee amount
5004	Monetary amount	C n...18	M	:779.53'	Value of tax amount

Example:

MOA+176:779.53'

Group: **SG48** Status: M Max. occ.: 100

Segment: **MOA** Pos.: 39 Level: 1
Status: C Max. occ.: 1

Function: **Taxable amount**

Usage notes:

EDIFACT			FAURECIA Implementation		
	Name	St Format	St	Sample	Usage / Remarks
MOA				MOA	
C516	MONETARY AMOUNT	M	M		
5025	Monetary amount type qualifier	M an..3	C	+109	109 = payment discount amount
5004	Monetary amount	C n...18	C	:	Payment discount amount

Example:

MOA+109:

Group: **SG50** Status: C Max. occ.: 10

Segment: **TAX** Pos.: 40 Level: 1
Status: M Max. occ.: 10

Function: **Line Item Tax**

Usage notes: SG50 is present when at least one tax rate applies.
SG50 may have more than 1 occurrence.

EDIFACT			FAURECIA Implementation		
	Name	St Format	St	Sample	Usage / Remarks
RFF				RFF	
5283	Duty/tax/fee function qualifier	M an ..3	M	+7	7 = Tax
C241	DUTY/TAX/FEE TYPE	M	M		
5153	Duty/tax/fee type, coded	C an ..3	M	+VAT	VAT = value added tax
1131	Code list qualifier	C an ..3	N		Not used
3055	Code list responsible agency, coded	C an ..3	N		Not used
5152	Duty/tax/fee type	C an..35	N		Not used
C533	DUTY/TAX/FEE ACCOUNT DETAIL	C	C		
5289	Duty/tax/fee account identification	M an..6	N		Not used
1131	Code list qualifier	C an..3	N		Not used
3055	Code list responsible agency, coded	C an..3	N		Not used
5286	Duty/tax/fee assessment basis	C an..15	N		Not used
C243	DUTY/TAX/FEE DETAIL	C	M		
5279	Duty/tax/fee rate identification	C an..7	N	:	Not used
1131	Code list qualifier	C an..3	N	:	Not used
3055	Code list responsible agency, coded	C an..3	N	:	Not used
5278	Duty/tax/fee rate	C an..17	M	:20.00	Tax rate
5273	Duty/tax/fee rate basis identification	C an..12	N		Not used
1131	Code list qualifier	C an..3	N		Not used
3055	Code list responsible agency, coded	C an..3	N		Not used
5305	Duty/tax/fee category, coded	C an..3	M	+200	If tax rate = 0 then 061 If tax rate > 0 then 200
3446	Party tax identification number	C an..20	N		Not used

Example:

TAX+7+VAT++++:::20.00+200'

Group: **SG50** Status: C Max. occ.: 10

Segment: **MOA** Pos.: 41 Level: 1
Status: C Max. occ.: 2

Function: **Taxable amount**

Usage notes:

EDIFACT			FAURECIA Implementation		
	Name	St Format	St	Sample	Usage / Remarks
MOA				MOA	
C516	MONETARY AMOUNT	M	M		
5025	Monetary amount type qualifier	M an..3	M	+124	124 = Tax amount
5004	Monetary amount	C n...18	M	:779.53'	Value of tax amount

Example:

MOA+124:779.53'

Group: **SG50** Status: C Max. occ.: 10

Segment: **MOA** Pos.: 42 Level: 1
Status: C Max. occ.: 2

Function: **Taxable amount**

Usage notes:

EDIFACT			FAURECIA Implementation		
	Name	St Format	St	Sample	Usage / Remarks
MOA				MOA	
C516	MONETARY AMOUNT	M	M		
5025	Monetary amount type qualifier	M an..3	M	+125	125 = taxable amount
5004	Monetary amount	C n...18	M	3897.66'	Value of taxable amount

Example:

MOA+125:3897.66'

Segment: **UNT** Pos.: 43 Level: 0
Status: M Max. occ.: 1

Function: MESSAGE TRAILER

Usage notes:

EDIFACT			FAURECIA Implementation		
	Name	St Format	St	Sample	Usage / Remarks
UNT				UNT	
0074	Number of segments in a message	M n..6	M	+99	
0062	Message reference number	M an..14	M	+1'	

Example:
UNT+99+1'

Segment: **UNZ** Pos.: 44 Level: 0
Status: M Max. occ.: 1

Function: INTERCHANGE TRAILER

Usage notes:

EDIFACT			FAURECIA Implementation		
	Name	St Format	St	Sample	Usage / Remarks
UNZ				UNZ	
0036	Interchange control count	M n..6	M	+1	
0020	Interchange control reference	M an..14	M	+001075'	

Example:

UNZ+1+001075'

5. Examples of Messages

Example 1: INVOIC when LISA (Levelled procurement)

UNB+UNOA:3+O093100000875450157FR23+O093100000875450157FR04+170325:2242+0010753++INVOICE+++O'	Interchange Header
UNH+1+INVOIC:D:96A:UN:A14051'	Message Header
BGM+380+9010203476+9'	Commercial invoice
DTM+137:20170324:102'	Document date
FTX+REG+++ FAURECIA INTERIEUR INDUSTRIE: SAS: AU CAPITAL DE 23.430.000 EUR: 071 502 397 RCS NANTERRE'	Regulatory information
FTX+AAI+++ TVA ACQUITEE SUR LES DEBITS: CONDITION D ESCOMPTE NEANT:CONDITION D ESCOMPTE	General information
NEANT:PENALITE EN CAS DE RETARD DE PAIEMENT (LME 2009)'	
NAD+BY+FR04::92+PARC D?'ACTIVITES LE POMMIER:62256 HENIN-BEAUMONT CEDEX:FR:121300000+FAURECIA	Buyer details
INDUSTRIES S.A.S.U.'	
RFF+VA:FR72420879140'	Vat registration number
NAD+SE+0931071502397::10+1 EMILE ZOLA:60114 MERU CEDEX 11 #:FR:1258000000+FAURECIA INTERIEUR	Seller details
INDUSTRIE+++++FR'	
RFF+ADE:1258000000'	Account number
RFF+VA:FR45071502397'	Vat registration number
NAD+FH++1 RUE EMILE ZOLA:60114 MERU CEDEX 11'	Seller as officially registered
NAD+IV+FR04::92+SJM - BP 40415:60114 MERU CEDEX:PT:SSC000FR04+FAURECIA INDUSTRIES S.A.S.U.+++++PT'	Invoicee details
CUX+2:EUR:4+3:EUR:3'	Currency
PAT+1'	Payments terms basis
DTM+140:20170520:102'	Payment Due date
LIN+10++1406092XNB:IN'	FAURECIA item number
PIA+1+1406092XNB:SA'	Additional product Id
IMD+++:::SMF CTR FACIA PAINTE'	Item description
MEA+PD+AAL+KGM:8'	Measurements
QTY+47:40:PCE'	Quantity invoiced
ALI+FR'	Country of origin
MOA+203:322.8'	Item Amount
PRI+AAA:8070::AAA:1000:PCE'	Net price
RFF+AAK:52985317'	Delivery note #
DTM+171:20170324:102'	Delivery date
RFF+ON:5500252786'	Purchase Order
RFF+MA:0251717613'	Manifest number
TAX+7+VAT+++:::20.00+200'	Manifest number
NAD+CN+000242087914000119::5+PARC D?'ACTIVITES LE POMMIER:62256HENIN-BEAUMONT	
CEDEX:FR:1213000000+FAURECIA INDUSTRIES S.A.S.U.+++++FR'	Consignee details
LOC+11+1213-R093'	
LIN+11++1300965XXU:IN'	Place/port of discharge
PIA+1+1300965XXU:SA'	
IMD+++:::SMF CENTER CONSOL UP'	
MEA+PD+AAL+KGM:63.36'	
QTY+47:384:PCE'	
ALI+FR'	
MOA+203:2887.68'	
PRI+AAA:7520::AAA:1000:PCE'	
RFF+AAK:52985317'	
DTM+171:20170324:102'	
RFF+ON:5500252797'	
RFF+MA:0251717613'	
TAX+7+VAT+++:::20.00+200'	
NAD+CN+000242087914000119::5+PARC D?'ACTIVITES LE POMMIER:62256HENIN-BEAUMONT	
CEDEX:FR:1213000000+FAURECIA INDUSTRIES S.A.S.U.+++++FR'	
LOC+11+1213-R093'	
LIN+12++1406091XNB:IN'	
PIA+1+1406091XNB:SA'	
IMD+++:::SMF CTR FACIA PAINTE'	
MEA+PD+AAL+KGM:2'	
QTY+47:10:PCE'	
ALI+FR'	
MOA+203:80.7'	
PRI+AAA:8070::AAA:1000:PCE'	
RFF+AAK:52985317'	
DTM+171:20170324:102'	

Faurecia specific: M=Mandatory, C=Conditional, O=Optional, N=Not used

RFF+ON:5500252789'
RFF+MA:0251717613'
 TAX+7+VAT+++:::20.00+200'
 NAD+CN+000242087914000119:::5+PARC D?'ACTIVITES LE POMMIER:62256HENIN-BEAUMONT
 CEDEX:FR:1213000000+FAURECIA INDUSTRIES S.A.S.U.++++FR'
 LOC+11+1213-R093'
 LIN+13++1505834XC8:IN'
 PIA+1+1505834XC8:SA'
 IMD+++:::PRF DESS VISIERE BRU'
 MEA+PD+AAL+KGM:20'
 QTY+47:80:PCE'
 ALI+FR'
 MOA+203:520.8'
 PRI+AAA:6510::AAA:1000:PCE'
 RFF+AAK:52985317'
 DTM+171:20170324:102'
 RFF+ON:5500315688'
RFF+MA:0251717613'
 TAX+7+VAT+++:::20.00+200'
 NAD+CN+000242087914000119:::5+PARC D?'ACTIVITES LE POMMIER:62256HENIN-BEAUMONT
 CEDEX:FR:1213000000+FAURECIA INDUSTRIES S.A.S.U.++++FR'
 LOC+11+1213-R093'
 LIN+14++1605622PBR:IN'
 PIA+1+1605622PBR:SA'
 IMD+++:::PRF FAC SUP CONS BV'
 MEA+PD+AAL+KGM:2.34'
 QTY+47:12:PCE'
 ALI+FR'
 MOA+203:85.68'
 PRI+AAA:7140::AAA:1000:PCE'
 RFF+AAK:52985317'
 DTM+171:20170324:102'
 RFF+ON:5500346812'
RFF+MA:0251717613'
 TAX+7+VAT+++:::20.00+200'
 NAD+CN+000242087914000119:::5+PARC D?'ACTIVITES LE POMMIER:62256HENIN-BEAUMONT
 CEDEX:FR:1213000000+FAURECIA INDUSTRIES S.A.S.U.++++FR'
 LOC+11+1213-R093'
 UNS+S'
 MOA+79:3897.66'
 MOA+77:4677.19'
 MOA+125:3897.66'
 MOA+176:779.53'
 TAX+7+VAT+++:::20.00+200'
 MOA+124:779.53'
 MOA+125:3897.66'
 UNT+99+1'
 UNZ+1+0010753'

Section control
 Total line items amount
 Invoice amount
 Taxable amount
 Total duty/tax/fee amount
 Tax details
 Taxable amount
 Tax amount
 Message Trailer
 Interchange Trailer

Example 2: INVOIC when NON LISA (Non levelled procurement)

UNB+UNOA:3+TENOR-LUXOR+O09310000875450157HBTIS+171104:0208+17110402080998'
 UNH+1+INVOIC:D:96A:UN:A14051'
 BGM+380+9179149+9'
 DTM+137:20171103:102'
 FTX+AAI+++TVA ACQUITTEE SUR LES DEBITS:NET SANS ESCOMPTE:TAUX DE PENALITE EGAL A 3 FOIS LE TAUX D
 INTERET LEGAL:RETARD DE PAIEMENT-INDEM. FORFAIT. 40E FRAIS DE RECOUV. L441-6 C.COMM.'
 FTX+REG+++LUXOR LIGHTING:SOCIETE PAR ACTIONS SIMPLIFIEE:AU CAPITAL DE 5.118.700 EUROS:RCS
 ANGOULEME 521 288 365 APE 2740Z'
 NAD+BY+FR04::92+PARC D ACTIVITES LE POMMIER:62256 HENIN-BEAUMONT+FAURECIA HENIN
 BEAUMONT+++++FR'
 RFF+VA:FR72420879140'
 NAD+SE+0931521288365::10+26 IMPASSE DES BOSQUETS:ZONE INDUSTRIELLE DES AGRIERS:16000
 ANGOULEME+LUXOR LIGHTING+++++FR'
 RFF+ADE:0000125063'
 RFF+VA:FR67521288365'
 NAD+FH++26 IMPASSE DES BOSQUETS:ZONE INDUSTRIELLE DES AGRIERS:16000 ANGOULEME'
 NAD+IV+FR04::92+PARC D ACTIVITES LE POMMIER:62256 HENIN-BEAUMONT+FAURECIA HENIN BEAUMONT+++++FR'
 CUX+2:EUR:4+3:EUR:11+1'
 PAT+1'
 DTM+140:20171231:102'
 LIN+1++1763774NTE:IN'
 PIA+1+FR08080002:SA'
 IMD+++:::RIDEAU JALOUSIE'
 MEA+PD+AAL+KGM:0.392'
 QTY+47:1200:PCE'
 ALI+FR'
 MOA+203:6648'
 PRI+AAA:5.54:::1:PCE'
 RFF+AAK:8175223'
 DTM+171:20171103:102'
 RFF+ON:5500389377'
 TAX+7+VAT+++:::20+200'
 NAD+CN+000242087914000119::92+PARC D ACTIVITES LE POMMIER:62256 HENIN-BEAUMONT+FAURECIA HENIN
 BEAUMONT'
 LOC+11+1213-R093'
 LIN+2++1785803XXX:IN'
 PIA+1+FR37380001:SA'
 IMD+++:::GUIDE DE LUMIERE XFA'
 MEA+PD+AAL+KGM:0.06'
 QTY+47:750:PCE'
 ALI+FR'
 MOA+203:2032.5'
 PRI+AAA:2.71:::1:PCE'
 RFF+AAK:8175223'
 DTM+171:20171103:102'
 RFF+ON:5500389376'
 TAX+7+VAT+++:::20+200'
 NAD+CN+000242087914000119::92+PARC D ACTIVITES LE POMMIER:62256 HENIN-BEAUMONT+FAURECIA HENIN
 BEAUMONT'
 LOC+11+1213-R093'
 UNS+S'
 MOA+79:8680.5'
 MOA+77:10416.6'
 MOA+125:8680.5'
 MOA+176:1736.1'
 TAX+7+VAT+++:::20+200'
 MOA+124:1736.1'
 MOA+125:8680.5'
 UNT+52+1'
 UNZ+1+17110402080998'

Interchange Header
 Message Header
 Commercial invoice
 Document date
 Regulatory information
 General information
 Buyer details
 Vat registration number
 Seller details
 Account number
 Vat registration number
 Seller as officially registered
 Invoicee details
 Currency
 Payments terms basis
 Payment Due date
 FAURECIA item number
 Additional product Id
 Item description
 Measurements
 Quantity invoiced
 Country of origin
 Item Amount
 Net price
 Delivery note #
 Delivery date
 Purchase Order
 Duty/tax/fee details
 Consignee details
 Place/port of discharge
 Section control
 Total line items amount
 Invoice amount
 Taxable amount
 Total duty/tax/fee amount
 Tax details
 Taxable amount
 Tax amount
 Message Trailer
 Interchange Trailer

6. Annex 1
Invoice information

Invoice code must be retrieved from **Financial ID** field at communication parameter sheet (FCS parameter sheet) available in Faurecia EDI portal

5. Faurecia plant list (Please fill area in section 2 to list available plants)

Area	Duns Number	Faurecia Plant Name	UNB / ISA Segment Sender / Receiver LOGISTIC		Faurecia plant code	Primary VAN	ID Logistic	ID Financial	Plant Choice
			Interchange ID / EDI Address	Qualifier					
Europe	Clean Mobility Divisions				FCS - Faurecia plant code				
Europe	n/a	Augsburg GE	0033100000875450157AUGES	n/a	1434	GXS	AUGES	DE25	No
Europe	n/a	Augsburg Prototype GE	0033100000875450157ABUES	n/a	1610	GXS	ABUES	DE25	No
Europe	n/a	Aulnay-Sous-Bois FR	0033100000875450157ASBES	n/a	1437	GXS	ASBES	FR29	No
Europe	n/a	Bakov CZ	0033100000875450157BKVES	n/a	1059	GXS	BKVES	CZ01	No
Europe	n/a	Barcelona ES	0033100000875450157BCNES	n/a	1123	GXS	BCNES	ES07	No
Europe	n/a	Beaulieu FR	0033100000875450157BEAES	n/a	1268	GXS	BEAES	FR29	No
Europe	n/a	Braganca PT	0033100000875450157BGCES	n/a	1361	GXS	BGCES	PT05	No

Specific financial ID is assigned to each Faurecia site.